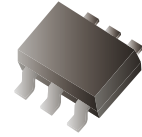


## ABAV99S-HF

RoHS Device  
Halogen Free

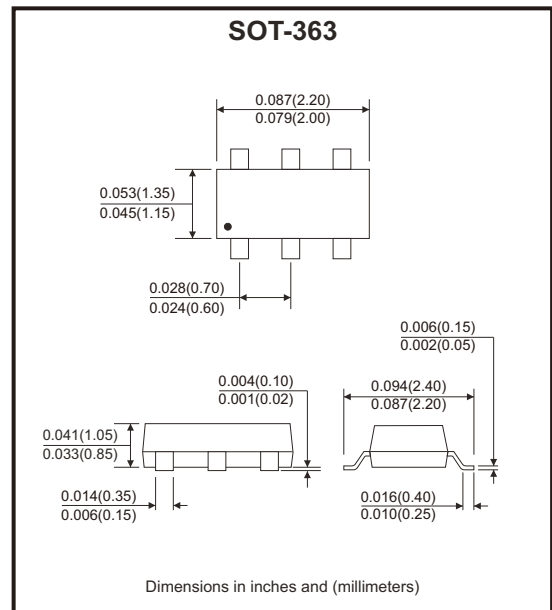


### Features

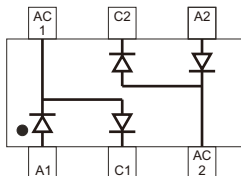
- Fast switching speed.
- High conductance.
- AEC-Q101 Qualified.

### Mechanical data

- Case: SOT-363, molded plastic.
- Molding compound: UL flammability classification rating 94V-0.
- Terminals: Matte tin-plated leads, solderability-per MIL-STD-202, method 208.
- Mounting position: Any.



### Circuit Diagram



### Maximum Ratings (at TA=25°C unless otherwise noted)

Parameter	Symbol	Value	Unit
Peak repetitive peak reverse voltage	$V_{RRM}$	85	V
DC blocking voltage	$V_R$	75	V
Repetitive peak forward current	$I_{FRM}$	450	mA
Average rectified output current	$I_F$	200	mA
Non-repetitive peak forward surge current @ t = 8.3ms	$I_{FSM}$	2	A
Power dissipation	$P_D$	250	mW
Junction temperature range	$T_J$	-65 to +150	°C
Storage temperature range	$T_{STG}$	-65 to +150	°C

## Electrical Characteristics (at TA=25°C unless otherwise noted)

Parameter	Conditions	Symbol	Min.	Typ.	Max.	Unit
Reverse breakdown voltage	$I_R = 2.5\mu A$	$V_{(BR)}$	75			V
Forward voltage	$I_F = 1mA$	$V_F$			0.715	V
	$I_F = 10mA$				0.855	
	$I_F = 50mA$				1.00	
	$I_F = 150mA$				1.25	
Reverse current	$V_R = 75V$	$I_R$			1	$\mu A$
	$V_R = 25V, T_J = 150^\circ C$				30	
	$V_R = 75V, T_J = 150^\circ C$				50	
Diode capacitance	$V_R = 0V, f = 1MHz$	$C_D$			1.5	pF
Reverse recovery time	$I_F = I_R = 10mA, I_{rr} = 0.1 \times I_R, R_L = 100\Omega$	$t_{rr}$			4	nS

## Rating and Characteristic Curves (ABAV99S-HF)

Fig.1 - Typical Reverse Characteristics

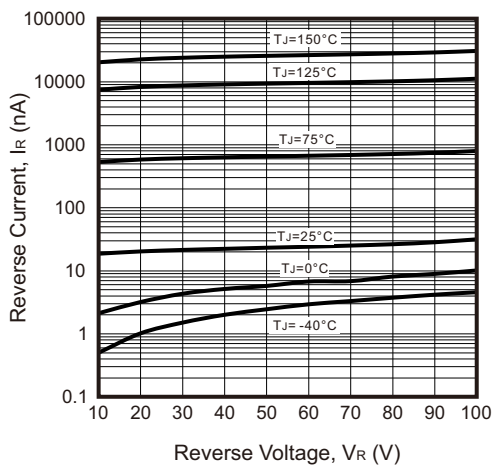


Fig.2 - Typical Forward Characteristics

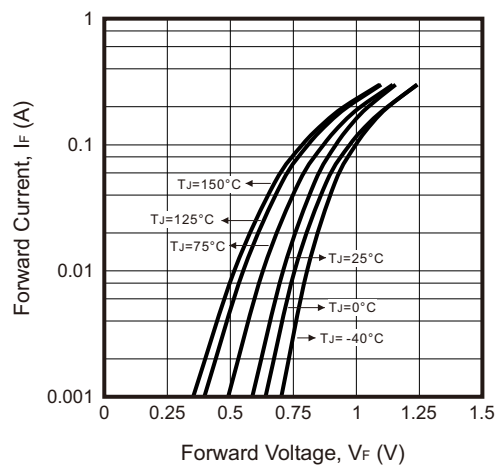


Fig.3 - Capacitance vs. Reverse Voltage

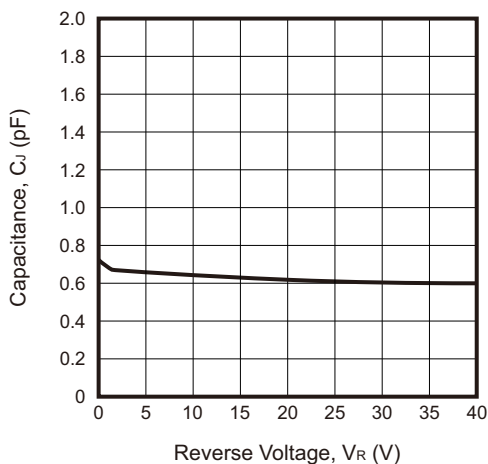
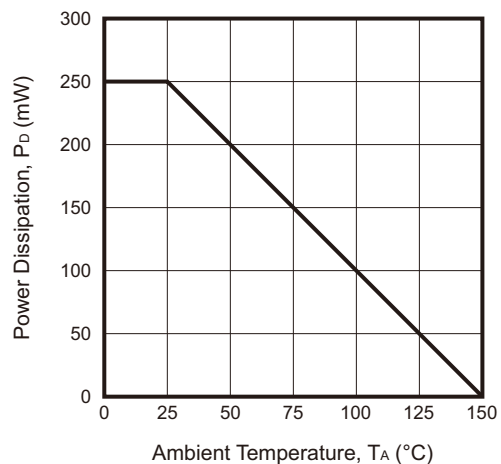
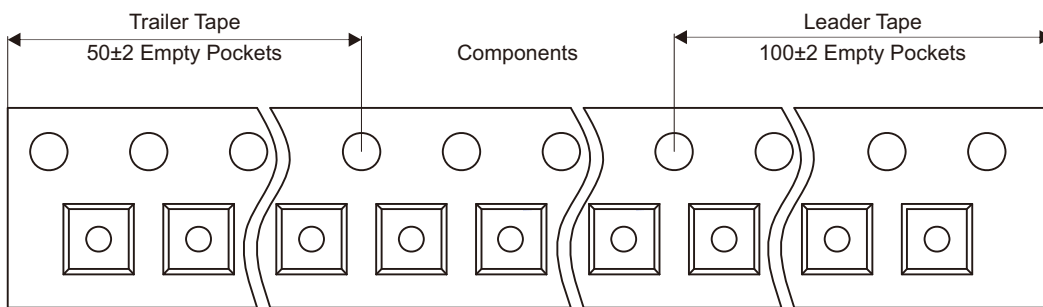
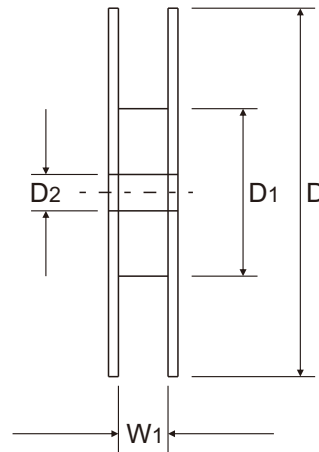
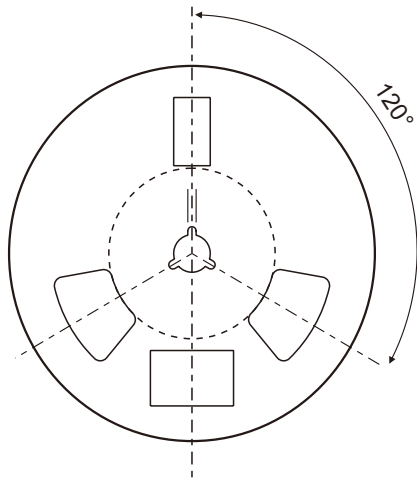
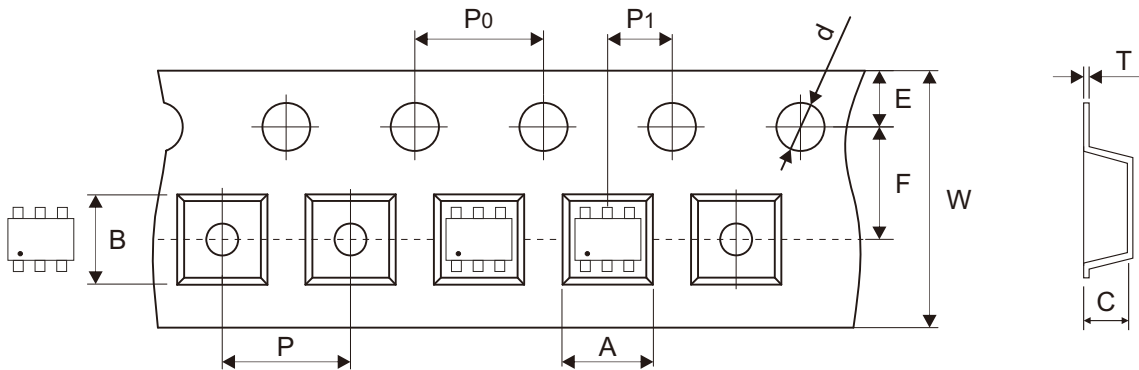


Fig.4 - Power Derating Curve



## Reel Taping Specification

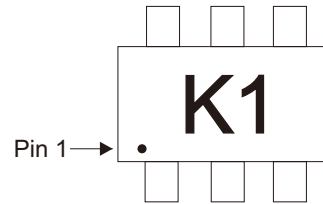


SOT-363	SYMBOL	A	B	C	d	D	D1	D2
	(mm)	2.40 ± 0.10	2.50 ± 0.10	1.20 ± 0.10	1.50 ± 0.10	178.00 ± 1.00	54.00 ± 0.50	13.00 ± 0.50
	(inch)	0.094 ± 0.004	0.098 ± 0.004	0.047 ± 0.004	0.059 ± 0.004	7.008 ± 0.039	2.126 ± 0.020	0.512 ± 0.020

SOT-363	SYMBOL	E	F	P	P0	P1	T	W	W1
	(mm)	1.75 ± 0.10	3.50 ± 0.05	4.00 ± 0.10	4.00 ± 0.10	2.00 ± 0.05	0.20 ± 0.02	8.00 + 0.30 - 0.10	9.50 ± 1.00
	(inch)	0.069 ± 0.004	0.138 ± 0.002	0.157 ± 0.004	0.157 ± 0.004	0.079 ± 0.002	0.008 ± 0.001	0.315 + 0.012 - 0.004	0.374 ± 0.039

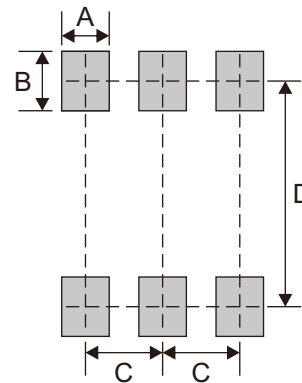
## Marking Code

Part Number	Marking Code
ABAV99S-HF	K1



## Suggested P.C.B. PAD Layout

SIZE	SOT-363	
	(mm)	(inch)
A	0.40	0.016
B	0.50	0.020
C	0.65	0.026
D	1.90	0.075



## Standard Packaging

Case Type	REEL PACK	
	REEL ( pcs )	Reel Size (inch)
SOT-363	3,000	7